



**Pillow Size:** 16x16 pillow form

Measurements for  
the **FRONT** of pieced pillow:

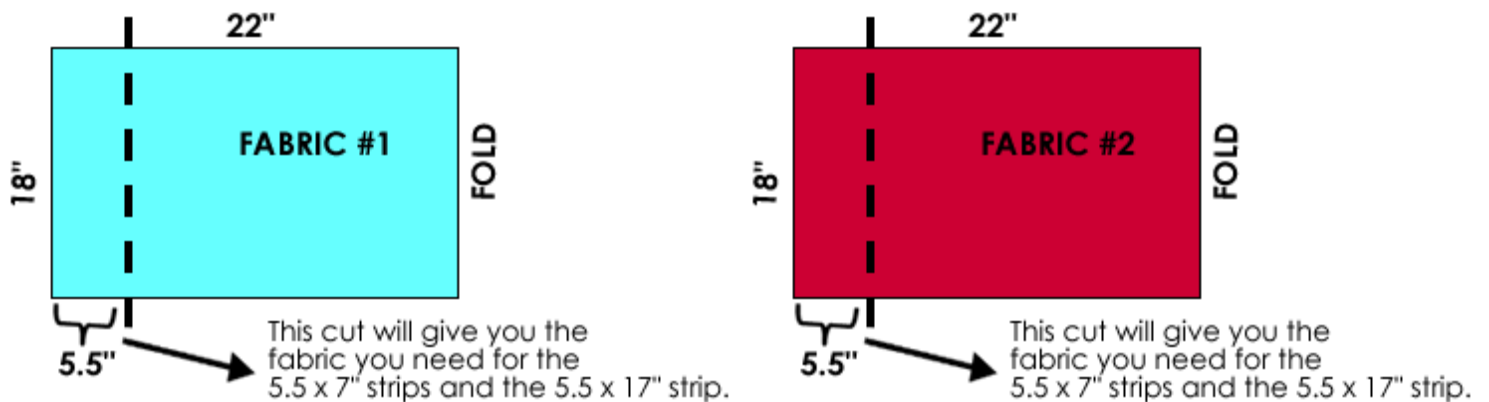
- **Burlap center square:** 7x7"
- **Fabric #1:** (1) 5.5 x 7"  
(1) 5.5 X 17"
- **Fabric #2:** (1) 5.5 x 7"  
(1) 5.5 X 17"



Measurements for the **BACK** of pillow: 17 x 22

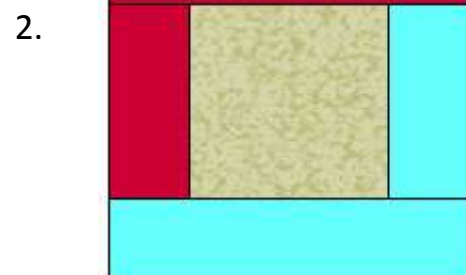
(Cut back panel in half as shown in Episode 9. We used Fabric #2 for the back.)

In order to get the most from your fabric, cut according to the following diagram:



Piece the front panel according to diagram:

**\*Note: All seams are 1/4".**



With the remaining fabric and burlap, you'll be able to make a coordinating pillow:

**Pillow Size:** 12x20 pillow form

**Burlap:** 13 x 16" strip

**Fabric #1:**

- 5.5 x 13" strip (for front panel)
- 13 x 26" strip (for back panel - be sure to divide the back in half as instructed in Episode 9.)

**\*All seams are 1/4".**



**\*\*Note:** If you love fabric like we do, you'll soon want to bring together all kinds of coordinating fabrics. We brought in a 3rd fabric choice to this set and it took the place of the 13x16" burlap strip.

Thank you to Fabric.com for sponsoring this week's episode! The DIY Dish Viewers will receive 25% off anything in Fabric.com's Holiday Headquarters.

Use coupon code: **DIYHOLIDAY**

<http://tinyurl.com/28gc93r>

Expires 11/30/10 at midnight ET.

**FABRIC.COM**

© The DIY Dish - www.theDIYdish.com 2010



Small Letters

**A B C D**

**E F G H I**

**J K L M**

**N O P Q**

**R S T U**

**V W X**

**YZ**

large letters for center monogram:

**AB**

CDE

**F G H**



IJKL

**MNI**

O P Q

**R S T**

UW

**W X**

**YZ**

We'd love to see what you can make with the freezer paper stencil method. Here's another one that can be used throughout the entire year. Be sure to come back for our "2nd helping" blog post at the end of the week to see how we used it.

[www.theDIYdish.com/blog](http://www.theDIYdish.com/blog)

Love.